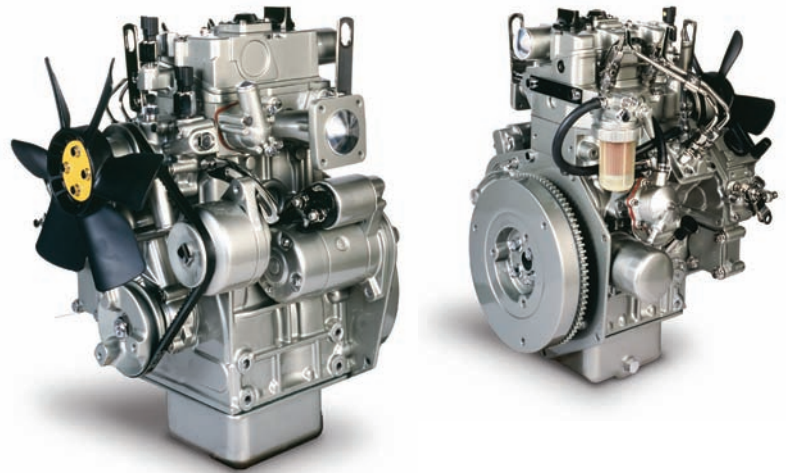


# 400 Series

## 402D-05

### Compact Industrial and Construction Power

10.2 kW / 13.7 bhp @ 3600 rpm



The Perkins 400D range has been developed in consultation with our marketplace. This 0.5 litre, 2 cylinder engine is the smallest engine offered by Perkins, however, this ultra-compact, lightweight power unit still maintains all the customer benefits experienced from this exciting product range.

The 400 Series engine family continues to set new standards in the compact engine market. Developed alongside customers to fulfil their needs in the construction, materials handling, agricultural/turf, genset and compressor markets, it is another class leading diesel range from Perkins.

The 400D range of engines has been designed to fully comply with stringent EU and EPA emissions regulations, providing an emissions compliant power solution for the future (see 'Perkins Emissions Statement' on page 2).

Long 500 hour service intervals, a two-year standard warranty, low noise and harshness and a wide range of options make the 400 Series range the complete solution for compact power needs. The 402D-05 is a 2 cylinder 0.5 litre unit which delivers impressive performance, with low operating costs in an ultra compact, efficient package ideally suited to a wide range of small off-highway applications.

#### Ultra-compact power

- Up to 10.2 kW from an engine envelope of 0.07 m<sup>3</sup>.
- Easy installation even in the smallest of machines.

#### Clean and quiet

- Noise levels have been kept to a minimum.
- Subjective harshness has been carefully controlled making the engine sound even quieter.

#### Durable power

- Product design and process improvements enhance both engine reliability and durability.
- An improved (advanced) governor, valve seat inserts and new compliance testing deliver reliability of 6,000 hours.
- A standard 2-year warranty demonstrates our confidence in durability and reliability.

#### Low operating costs

- Approved for operation on biodiesel\* concentrations of up to 20%.
- Oil and filter changes are 500 hours, dependent on load factor.
- Engine durability and reliability, the warranty offering and ease of installation combine to drive down the cost of ownership.

#### Product support

- Through an experienced global network of distributors and dealers, fully trained engine experts deliver total service support around the clock, 365 days a year. They have a comprehensive suite of web based tools at their finger tips, covering technical information, parts identification and ordering systems, all dedicated to maximising the productivity of your engine.
- Perkins actively pursues product support excellence by insisting our distribution network invest in their territory to provide you with a consistent quality of support across the globe.
- Throughout the entire life of a Perkins engine, we provide access to genuine OE specification parts giving 100% reassurance that you receive the very best in terms of quality for lowest possible cost... wherever your Perkins powered machine is operating in the world.

Performance Data	Gross Intermittent (ISO/TR 14396)	Speed (rev/min)
Power Output (kW)	10.2	3600
Power Output (bhp)	13.7	3600
Peak Torque (Nm)	29.7	2400
Peak Torque (lbf ft)	21.9	2400

Power output for a run-in engine after 60 hours.  
 \*Subject to conformance with ASTM D6751 and EN14214.

# 400 Series - 402D-05

## Compact Industrial and Construction Power

10.2 kW / 13.7 bhp @ 3600 rpm

### Engine Specification

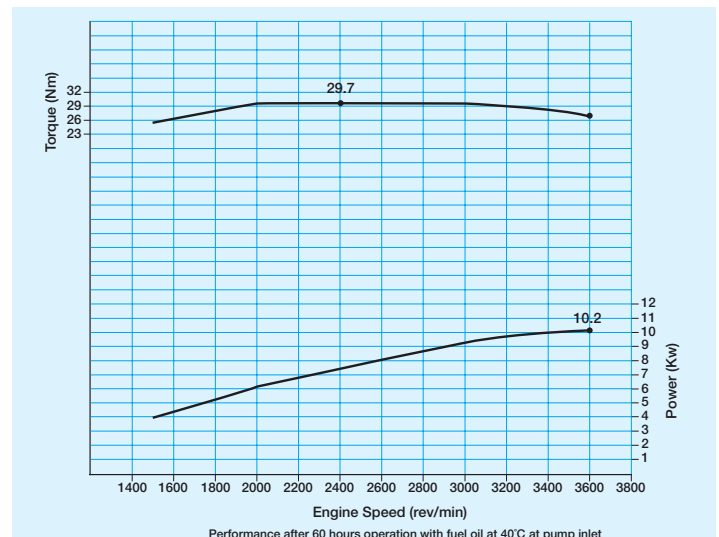
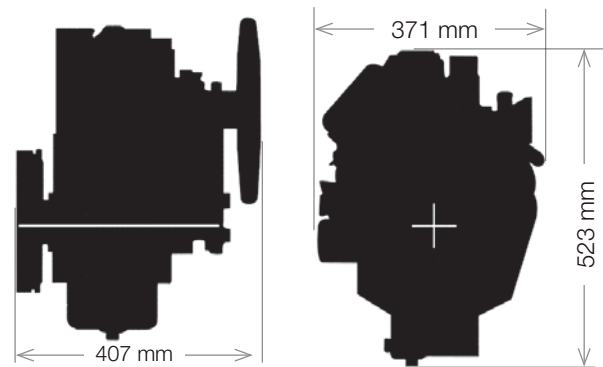
- Cast iron engine block
- Flywheel and flywheel housing
- Fuel injection pump
- Spin on fuel filter
- Glow plug starting aid
- Lub oil sump
- Spin on lub oil filter
- Inlet manifold
- Cast iron exhaust manifold – side outlet
- Closed circuit breather
- Coolant pump belt driven
- Starter motor 12 volt
- Alternator 12 volt 14 amp
- ESOS (Electric shut-off solenoid)
- Lub oil pressure switch
- Coolant temperature switch
- Choice of coolant fans
- Cold start capability to -20°C (aided)
- Gradeability 35° continuous

### Option Groups

A selection of optional items is available to enable you to prepare a specification precisely matched to your needs.

### Emissions Statement

- Variable Speed: Industrial and IOPU engines: Certified against the requirements of EU Stage IIIB (Directives 97/68/EC, as last amended, and 2005/26/EC, as last amended); and US EPA Tier 4 Interim (40CFR Parts 1039. (NOTE Tier 4 Final will start in 2013 model year for 19-56 kW engines).
- Constant Speed Engines for use in Industrial, IOPU and ElectropaK applications: Certified against the requirements of EU Stage IIIA (Directives 97/68/EC, as last amended, for mobile applications); and US EPA Tier 4 Interim (40 CFR Parts 60 for stationary applications and 40CFR Part 1039 for mobile applications).



### Engine Data

Number of cylinders .....	2 in-line
Bore and stroke .....	67 x 72 mm
Displacement .....	0.51 litres
Aspiration .....	Naturally aspirated
Cycle .....	4 stroke
Combustion system.....	Indirect injection
Compression ratio .....	23.5:1
Engine rotation .....	Anti-clockwise viewed on flywheel
Governing.....	All speed mechanical
Cooling system.....	Pressurised water
Total lubrication capacity.....	2.01 litres
Total coolant capacity .....	1.1 litres
Dimensions	
Length .....	407 mm
Width.....	371 mm
Height.....	523 mm
Dry weight .....	57 kg

Final weight and dimensions will depend on completed specification.

### Perkins Engines Company Limited

Peterborough PE1 5NA  
 United Kingdom  
 Telephone +44 (0)1733 583000  
 Fax +44 (0)1733 582240  
[www.perkins.com](http://www.perkins.com)

Distributed by: